

BLANCO LINUS

Item No. 514019

metallic surface
high pressure

Pros



Practical in form and function

- Minimalist design
- High spout for easy filling of pans and vases
- Spout can be swivelled through 360° for greater cover

Colours



Available colours



stainless steel
finish



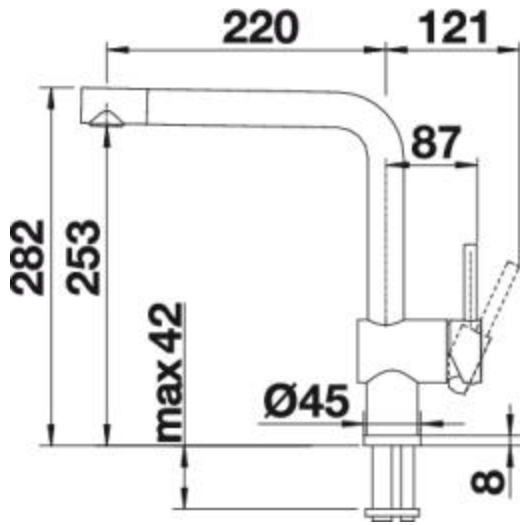
stainless steel



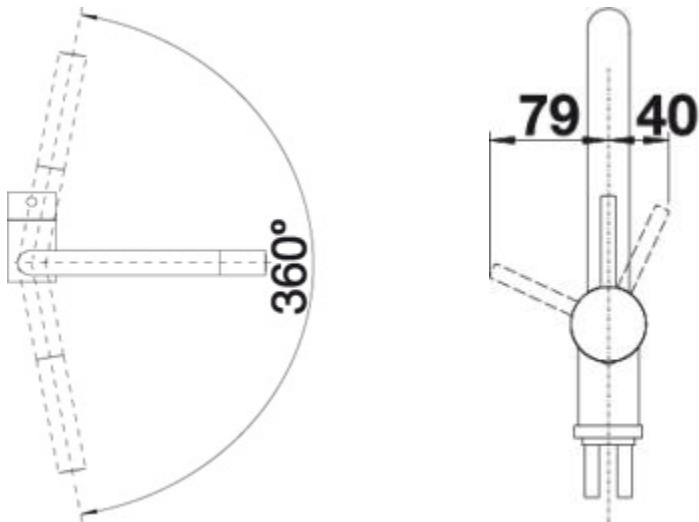
chrome

metallic surface
Item No. 514019
high pressure

Details



Side View



Swivelling

Scope of supply

- Single-lever mixer tap
- Spout can be swivelled by 360°
- Ø 35 mm tap hole required
- With ceramic disk cartridge
- Flexible connector pipes, 450 mm long and 3/8" nut for particularly easy and safe installation
- Patented jet regulator for markedly reduced scaling
- Stabilisation plate to increase the stability of the tap when fitted in stainless steel sinks
- LGA approved
- DVGW approved